

Simonton ProFinish[®] Master series provides the ultimate in strength and design. Unique features help ensure fast and accurate installation. And superior air, water and structural performance have earned the Master series a remarkable R-50 rating—setting the standard for new construction.

Why ProFinish Master Series?

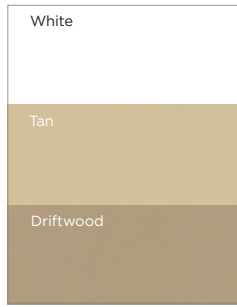
The ultimate in high performance.

- A** An integral J-channel makes installation easy with vinyl siding.
- B** The triple-chambered, compound-cut sill provides added structural stability.
- C** A beveled exterior provides a sophisticated appearance.
- D** The welded frame and sash provide increased strength and easier handling.



- E** Extruded vinyl resists chipping, flaking and pitting and will retain its looks with very little maintenance.
- F** A 3/4" insulating glass unit and Intercept® spacer system provide increased energy efficiency.
- G** Flush-mount tilt latches release the sash to tilt in for easy cleaning.
- H** An overlapping, interlocking meeting rail guards against weather infiltration.

Exterior Colors



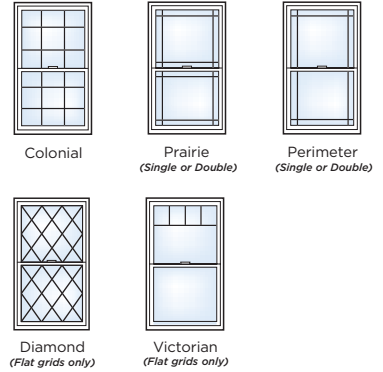
Grid Styles



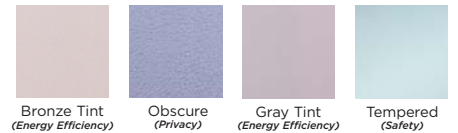
Hardware Colors



Grid Patterns



Glass Options

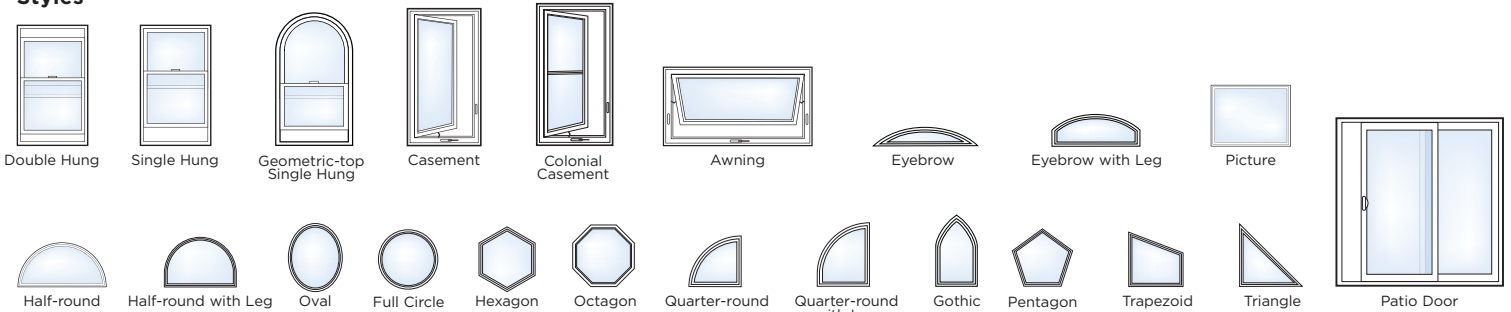


ProFinish windows and doors are covered by a Lifetime Limited Warranty on vinyl and a 20-year warranty on hardware, screens and glass.



ProFinish Master windows and doors, available with ProSolar® Low E glass and the Supercept™ spacer system, can be ordered to meet ENERGY STAR guidelines in every area and region of the country.

Styles



Corporate Headquarters:

3948 Townsfair Way, Suite 200, Columbus, Ohio 43219 | 1-800-SIMONTON (1-800-746-6686) | simonton.com

Join the conversation



Simonton Windows, Simonton, ProFinish, ProSolar and the stylized "S" are registered trademarks and Supercept™ is a trademark of Simonton Building Products, Inc. Intercept® is registered trademark of PPG Industries, Inc. All product styles, features and options not available in all areas of the country. Please consult your dealer prior to purchasing. ©2014 Simonton Building Products, Inc. Printed in U.S.A.